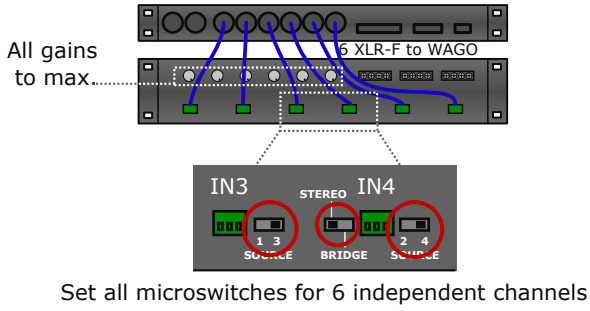
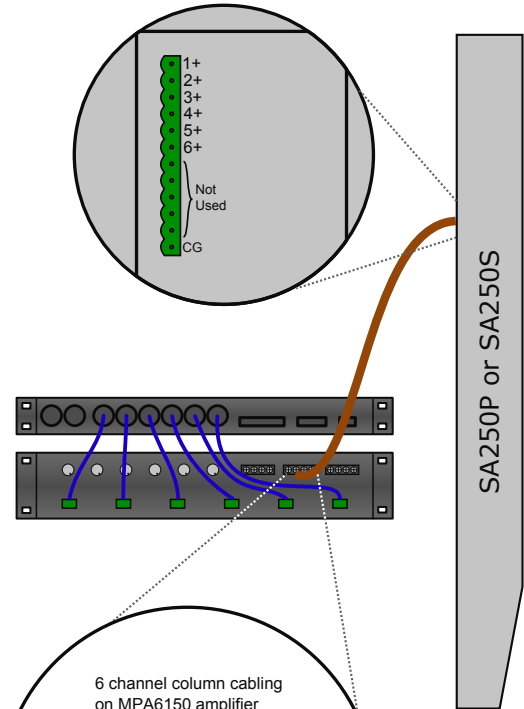


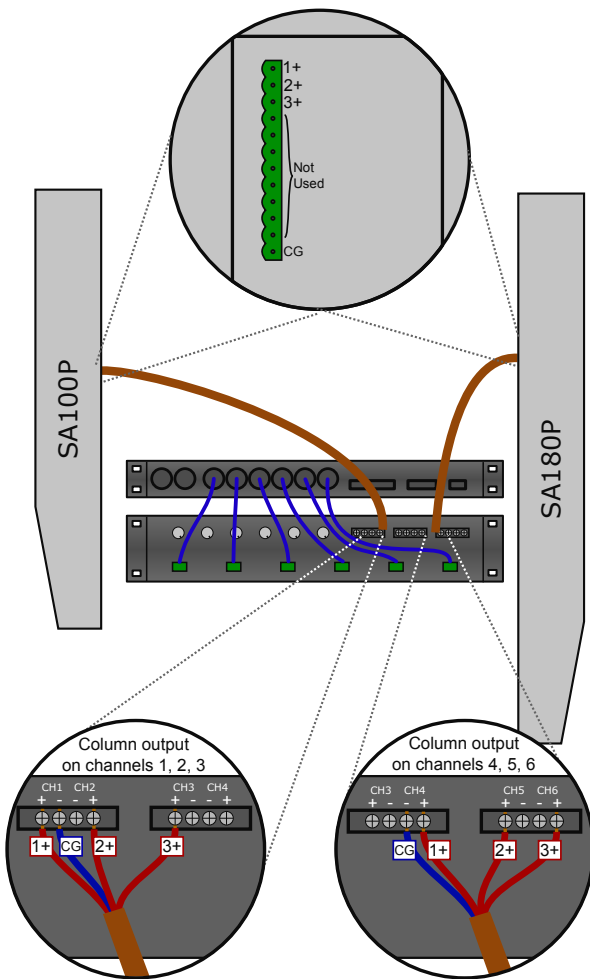
## UT26 / MPA6150



## SA250P / SA250S



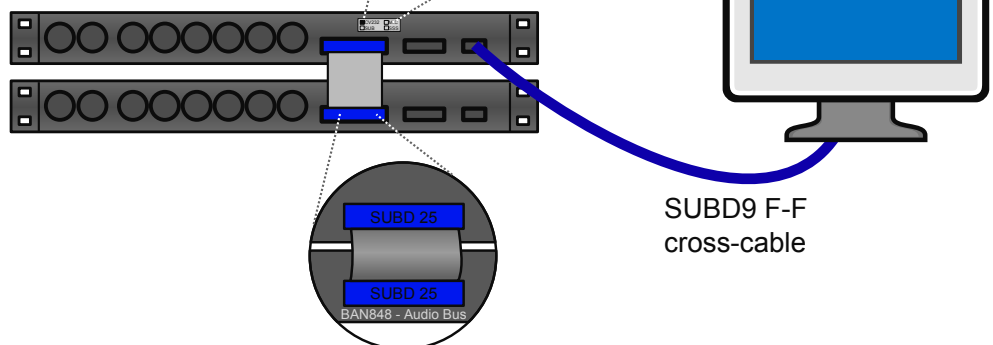
## SA100P / SA180P



Computer is connected to UT26 with CV232 option

- CV232
- SUB
- MIC
- SSS

## RS232 communication



## Init new processors

1

Switch OFF all processors

2

Log in administrator mode.

3

Connect to COM port

4

Switch ON the processor connected with CV232

5

Set initial parameters for this processor, then apply.

6

Switch ON one more processor.

*Remember: Switch ON one processor at a time.*

7

Set initial parameters for this processor, then apply.

Processor address must be unique.

*Repeat step 6 and 7 for each other processor.*

8

Save as boot setup to make all changes permanent.

## Discover already initied processors

1

Connect to COM port.

2

Discover from hardware setup.