

~~-Active Audio-~~

OWNER'S MANUAL

MPA 6-150

WARRANTY

Active Audio guarantees, that every new product purchased at an authorized distributor is free of assembly and material and material defects.

During the guarantee, the purchaser is entitled to repairs free of charge in cases involving assembly defects.

Defects reported during the time of the guarantee will be repaired by an authorized dealer free of charge within 21 days from the date that the equipment is delivered for repair - the time of repair may be extended if the job requires parts to be acquired from another country.

The guarantee is extended by the time it takes to complete reparations of the product.

Under the guarantee, those repairs for which instructions are given in the manual will not be cover, and are the sole responsibility of the owner's time and cost. For example, the installation of equipment, the testing, maintenance (especially the cleaning of the filter), and interchanging the fuses. All of the afore mentioned repairs can be made by the dealer at the customer's own cost.

Guarantee does not cover:

- Mechanical, chemical, and thermal damages inflicted on the equipment.
- Damages and defects caused by wrongful installation, usage, storage, and maintenance.
- Damages caused by repairs and changes to the equipment made by the customer or other unauthorized persons.
- Damages attributed to acts of god.

The owner provides damaged equipment for repairs or sale at his or her time and cost, preferably in the original package. If the original package is missing, the risk of product damage is higher and the owner assumes all financial losses.

Without the registration card, equipment will not be repaired.

SAFETY TIPS

EQUIPMENT SETUP

Avoid setting up the equipment areas:

- subject to direct sunlight
- exposed to high temperatures
- exposed to moisture
- subject to high vibrations
- on an uneven surface

Non compliance can lead to damaging the outside frame and/ or other parts- which could shorten the allotted time of operation.

VENTILATION

Install the equipment in the area with proper ventilation - with a distance of at least 10cm from the rear of the device to the wall. Remember that objects such as curtains should not cover the ventilation openings.

PLACING OBJECTS ON TOP OF THE AMPLIFIER

Do not place heavy object on top of the amplifier or on the electrical cord. Such actions could cause the top plate to be permanently deformed or the electrical cord to be severed.

VOLTAGE

The equipment cannot be plugged into a DC socket. Make sure the parameters of the socket are known.

ELECTRICAL CORD

When inserting the electrical cord into the socket, hold the plug firmly and make sure it is properly placed into the socket. Never attempt to touch the socket with moist hands.

Avoid cutting, scratching, over bending, stretching, and folding the electrical cord. Such actions could cause a fire or electrical shock.

When unplugging the cord do not pull the wire because an electrical shock could result.

FOREIGN OBJECTS

- Do not allow objects such as needles, coins, screws, etc to accidentally fall into the equipment through the ventilation openings. The result could be serious damage to the amplifier and electrical shock.
- At no time should water or any other liquid to be spilled on or into the equipment due to the high risk of fire or shock.
- Avoid using any aerosol sprays around the equipment.

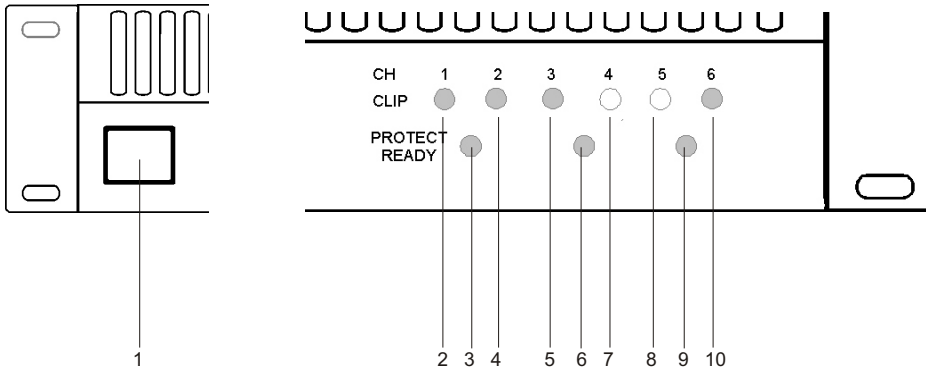
SERVICE

Never try to take apart, fix or repair the equipment. If problems arise at time of operation (interrupted sound, signals do not light up, traces of smoke arise, etc.) Immediately turn off the amplifier and contact an authorized dealer. If the equipment will not be used for an extended period of time , unplug the amplifier from the outlet.

MAINTENANCE

Clean the frame, the main frame, and the regulator with a soft moist towel, lightly covered with a gentle detergent. Do not use any abrasive materials or detergents. Do not use any solvent such as alcohol or gasoline.

FRONT PANEL



1. POWER switch

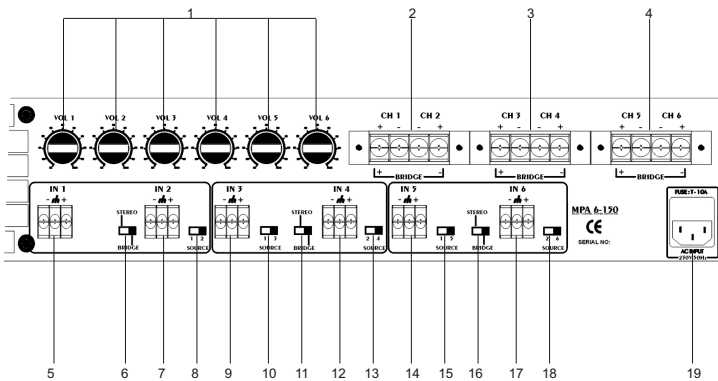
3,6,9. Operating signal READY/PROTECT

- signal lights up green - amplifier ready to operate
- signal lights up red - signifies that, safety switch is eliminating Banging at time of startup
- Apearance of DC
- Overheating of theheatsink or transformer

2,4,5,7,8,10.. Indication directing amplifier CLIP/ SIGNAL (CH1 - CH 6)

- signal lights up green - showing present signal of output
- signal lights up red - informs the user that the entering signal is too large

REAR PANEL



1. VOL1 - VOL6 parameters regulate the amplitude of outgoing signals

2. OUTPUT (CH1, CH2, BRIDGE)

3. OUTPUT (CH3, CH4, BRIDGE)

4. OUTPUT (CH5, CH6, BRIDGE)

5. INPUT connector (IN1)

6. Operation mode switch (STEREO, BRIDGE)

7. INPUT connector (IN2)

8. Source switch for CH 2

9. INPUT connector (IN3)

10. Source switch for CH 3

11. STEREO, BRIDGE switch

12. INPUT connector (IN4)

13. Source switch for CH 4

14. INPUT connector (IN5)

15. Source switch for CH 5

16. STEREO, BRIDGE switch

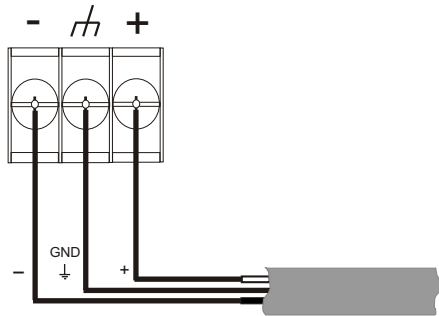
17. INPUT connector IN6

18. Source switch for CH 6

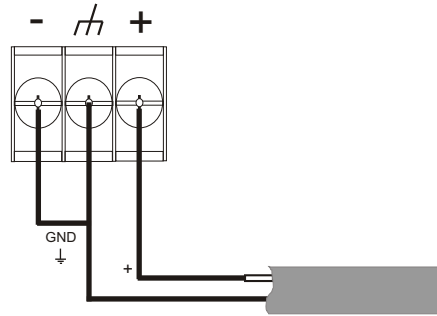
19. AC Power Line IN

INPUT CONNECTOR

BALANCED

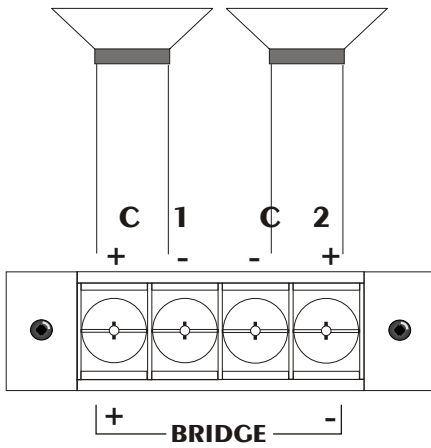


UNBALANCED

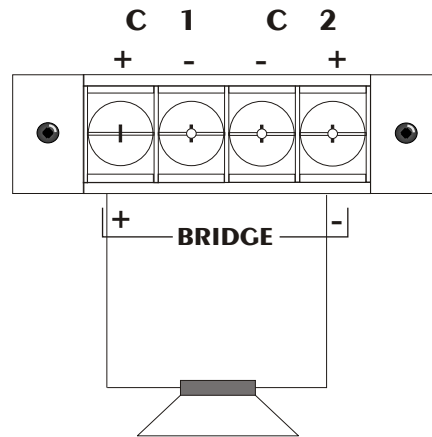


OUTPUT CONNECTOR

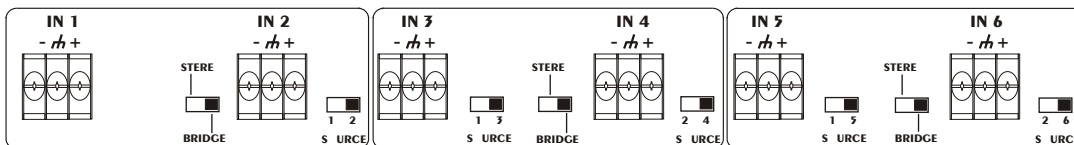
STEREO



BRIDGE



SOURCE SWITCHES

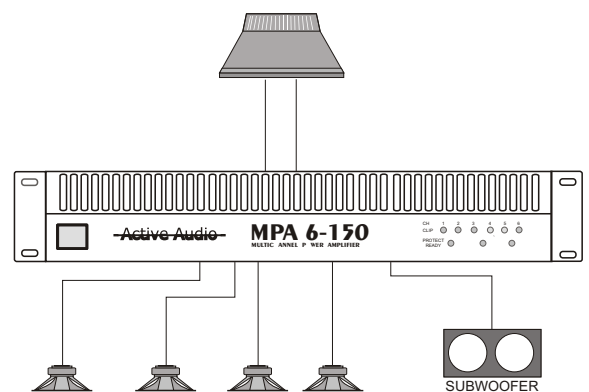
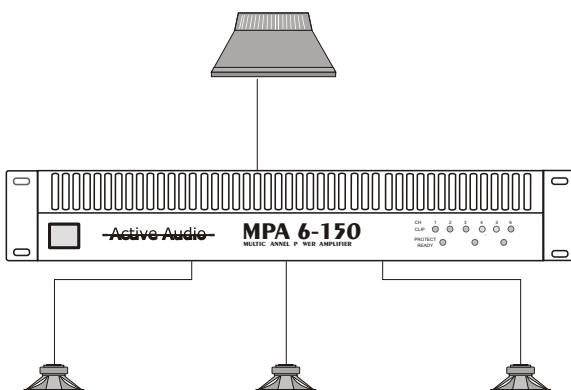
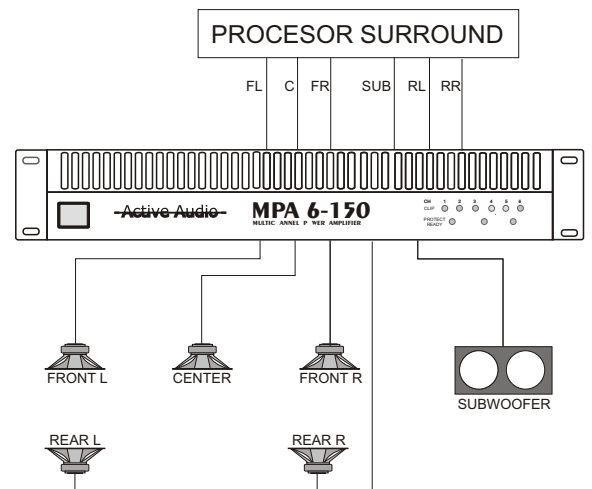
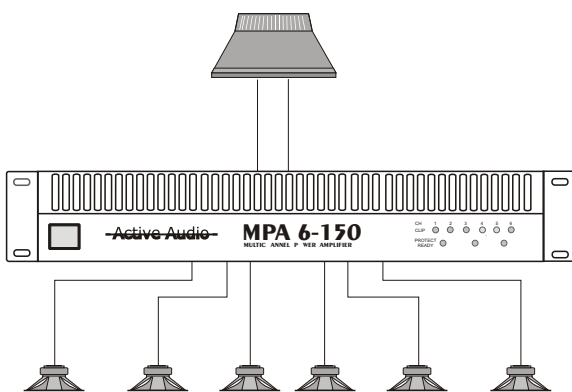


Multichannel power amplifier MPA 6-150

Six independent amplifier channels and three bridging switches provide max. Configuration flexibility. Separate gain controls on the back panel allow convenient level balancing of all channels . It features high quality 100W RMS amplifiers per zone.

- six independent channels
- bridge operation available
- phoenix input connector
- output screw terminals
- separate gain controls
- source switch parallel operation mode
- silent switching on and of loading
- variable speed fan
- mosfet output transistors
- toroidal transformer inside
- protection system (output current redeuction at low impedance - short circuit , over temp protection)
- clip indicator for each channel
- protect/ready indicator for each pair channels

Sample aplicatins



SPECIFICATIONS

Output Power (1kHz) Dual

Channels/ Loads	1/1		4/4		6/6	
	4	8	4	8	4	8
Output	150	85	120	75	100	70

Output Power (1kHz) Mono

Channels/ Loads	2/1		4/2		6/3	
	4	8	4	8	4	8
Output	N/A	300	N/A	240	N/A	200

- Frequency response 20Hz - 20kHz @ 1W +/- 1dB
- Distortion THD 0,1 % @ 1kHz
- Input sensitivity 1V
- Input impedance 10kohm unbalanced,, 20kohm balanced
- Signal to Noise 95dB
- Damping factor > 300
- Dimensions (W x H x D)mm 483 x 88 x 420
- Weght 12,3 kg

Block Diagram

